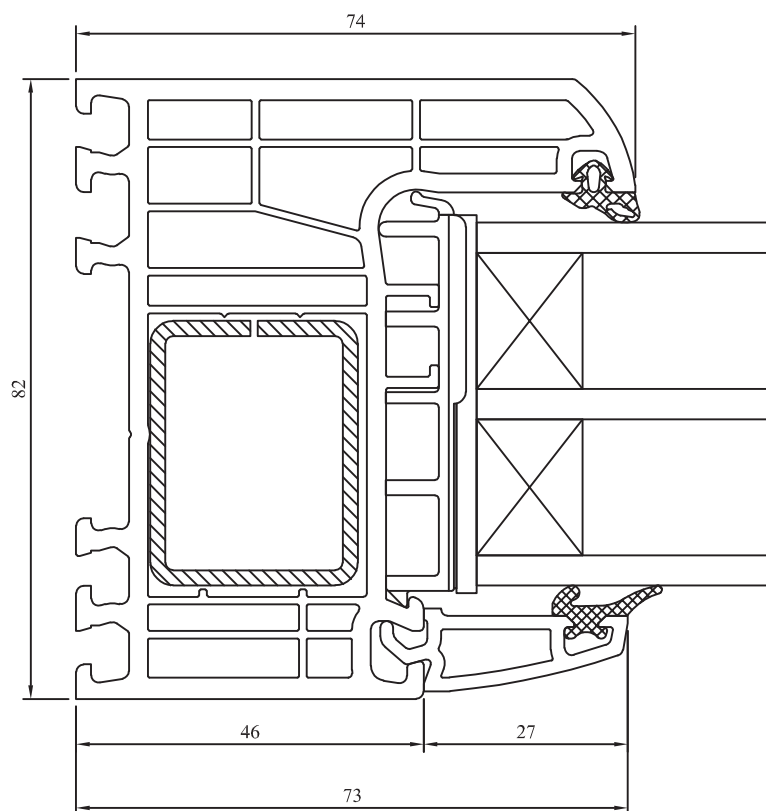
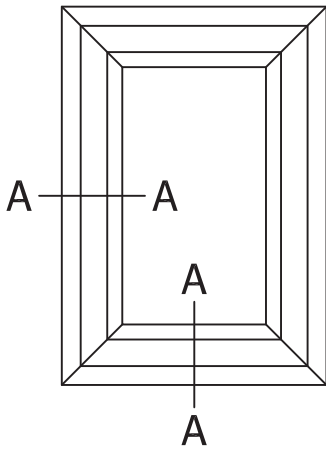


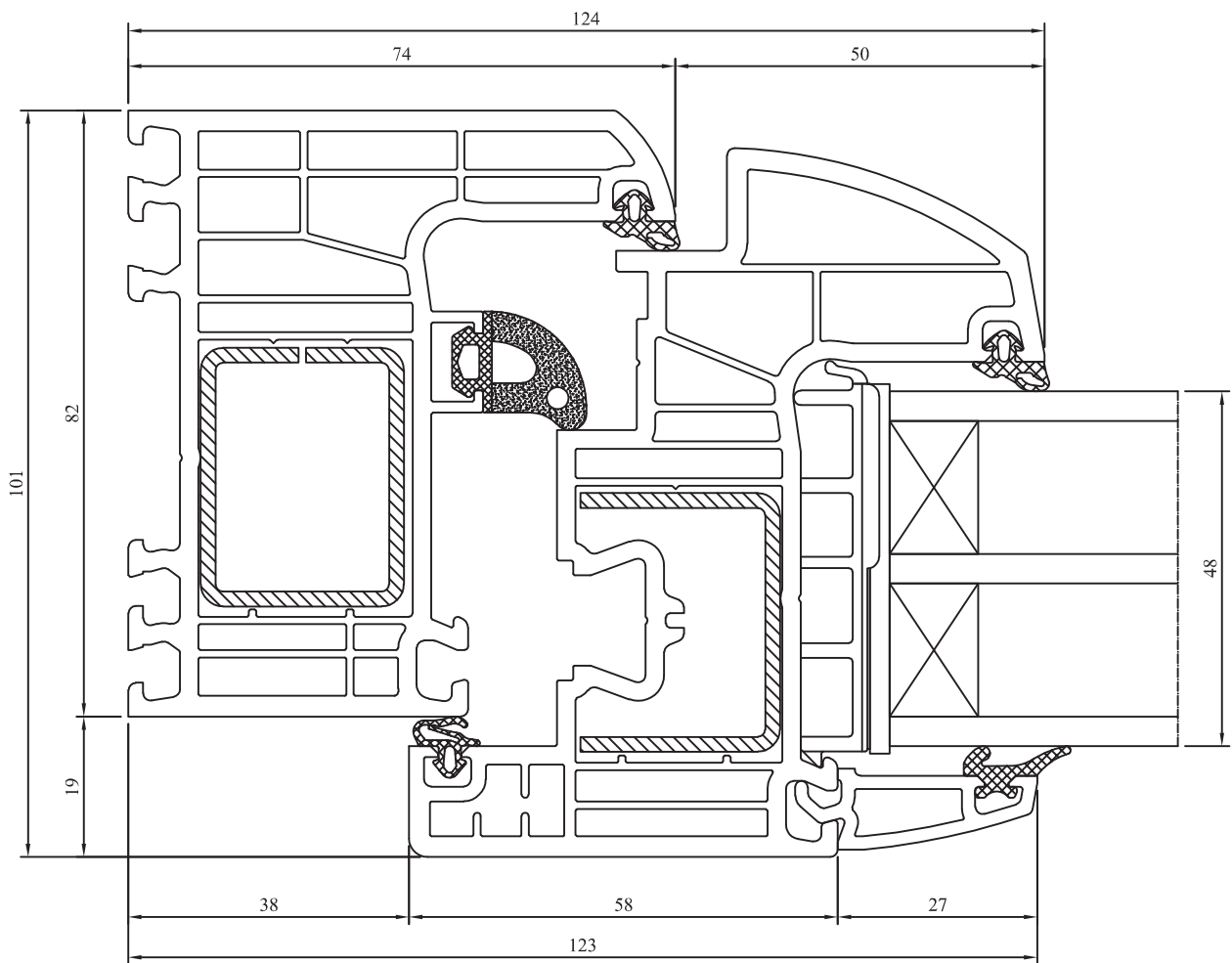
A - A



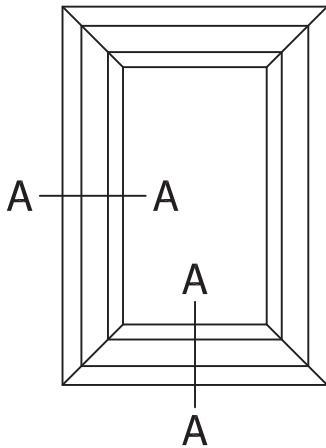
70001 + 70948



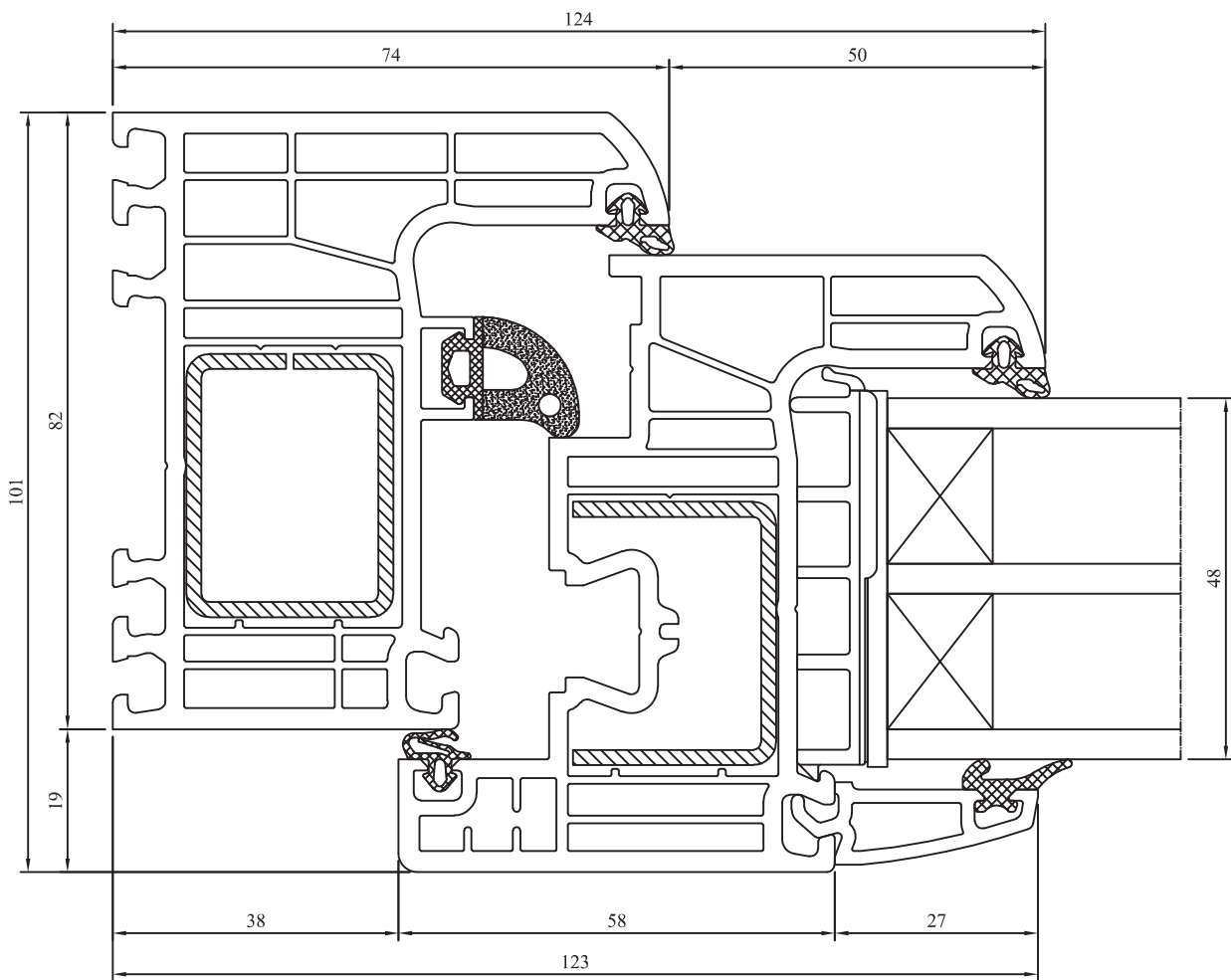
A - A



70001 + 70011 + 70948



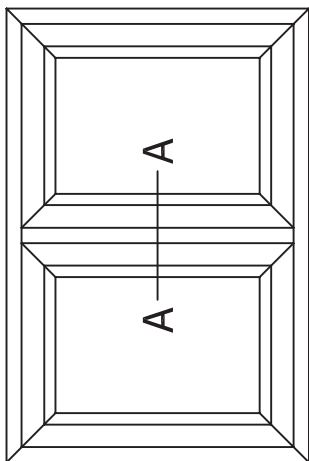
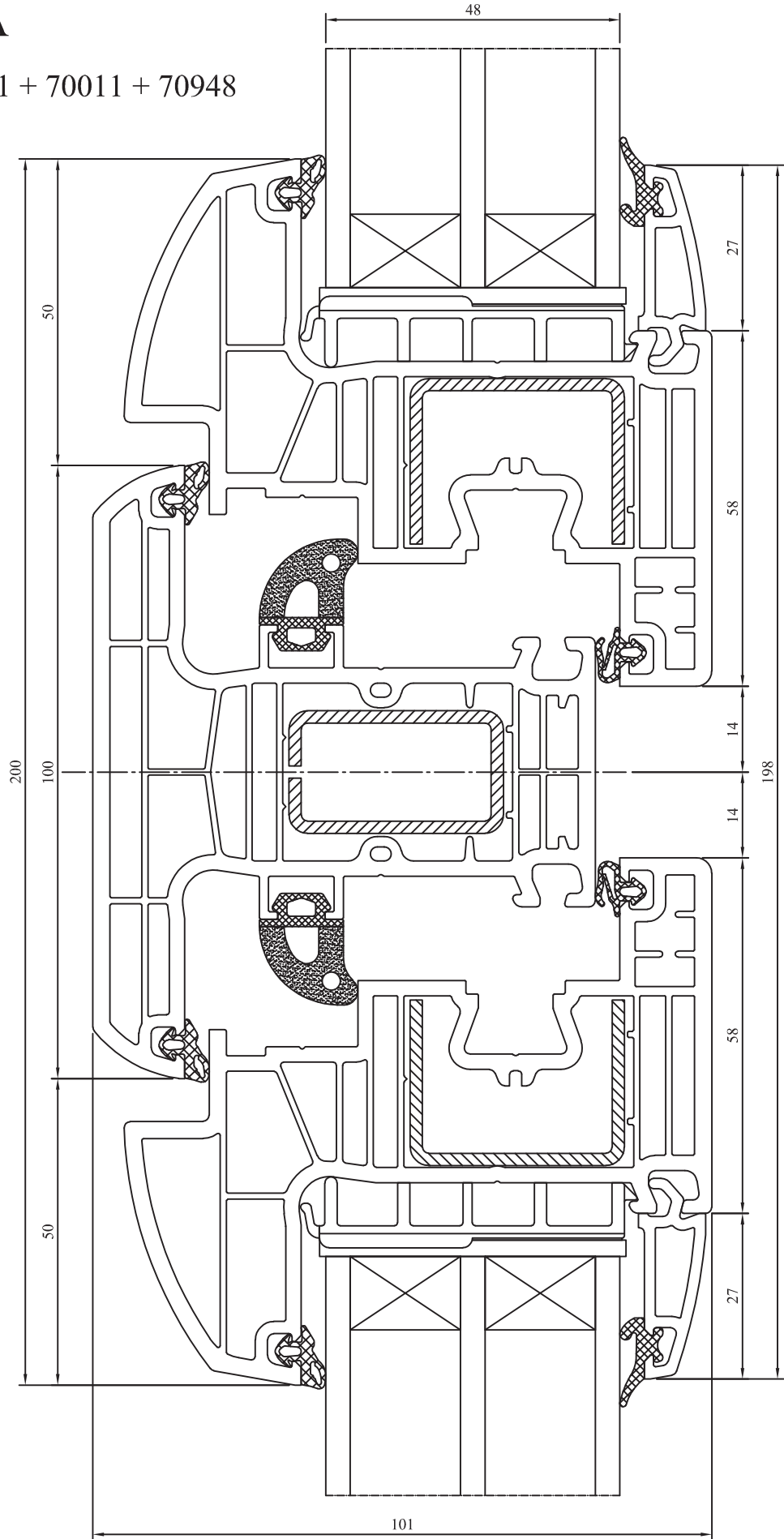
A - A



70001 + 70013 + 70948

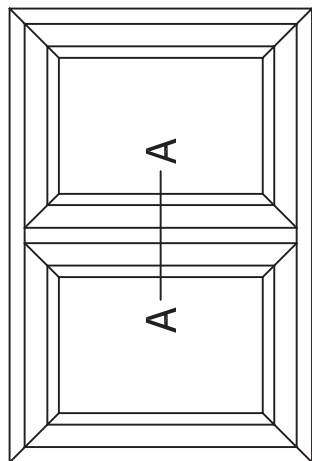
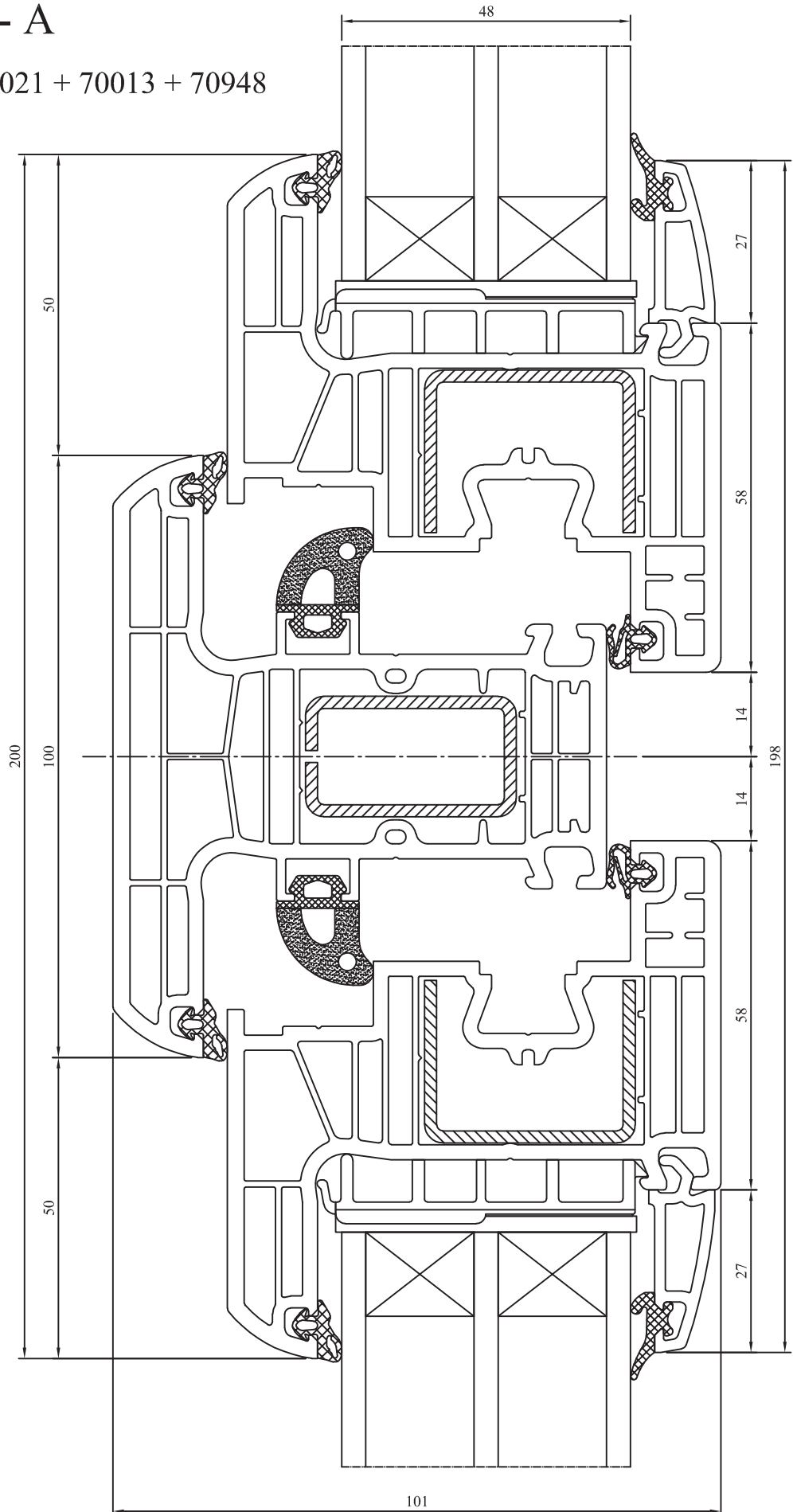
A - A

70948 + 70011 + 70021 + 70011 + 70948



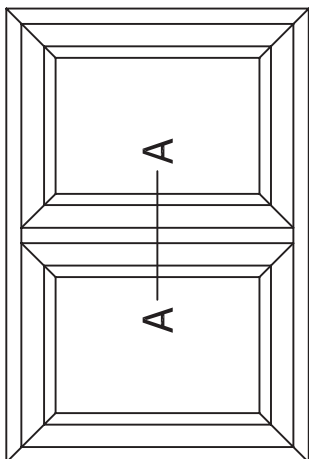
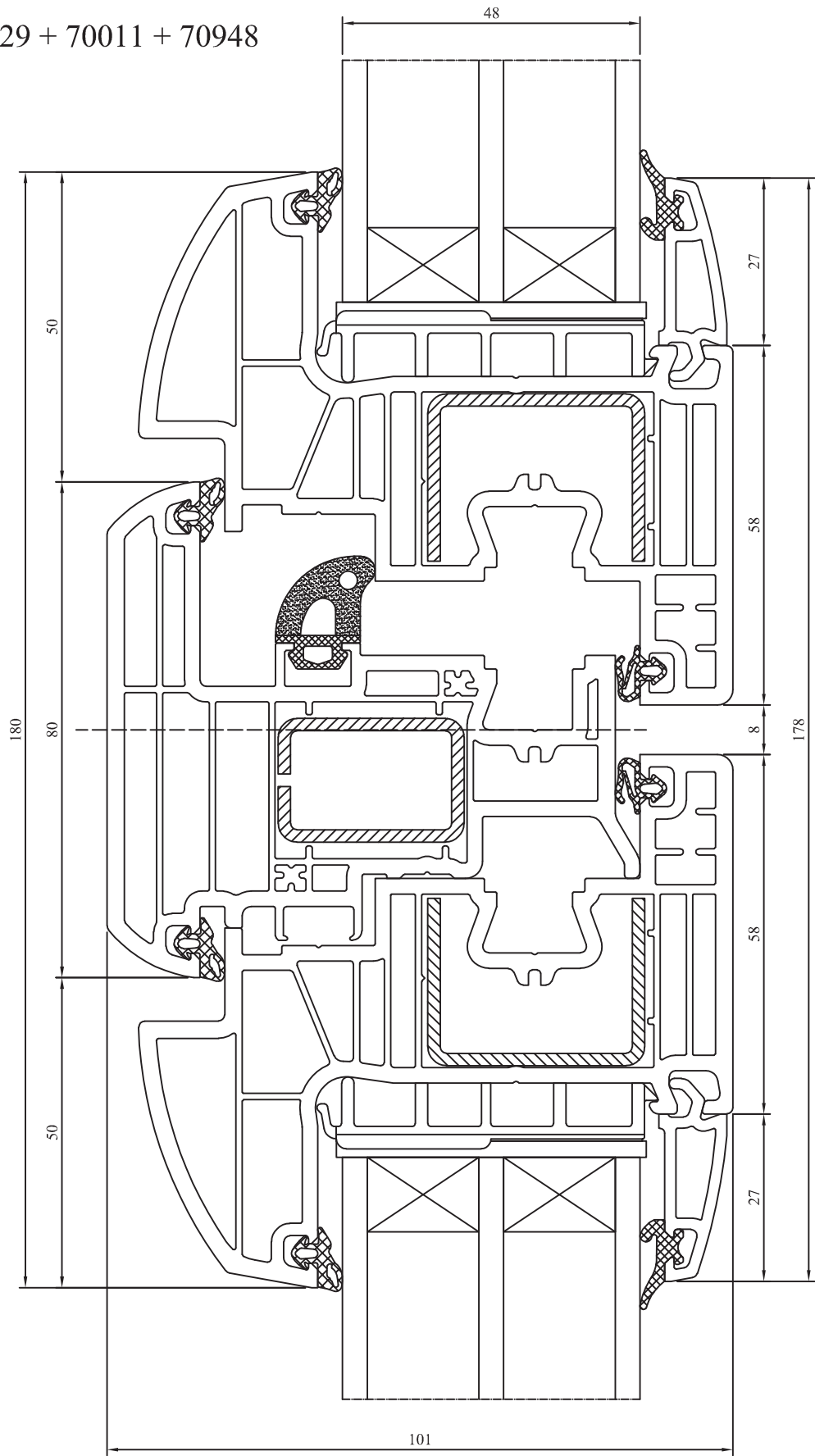
A - A

70948 + 70013 + 70021 + 70013 + 70948



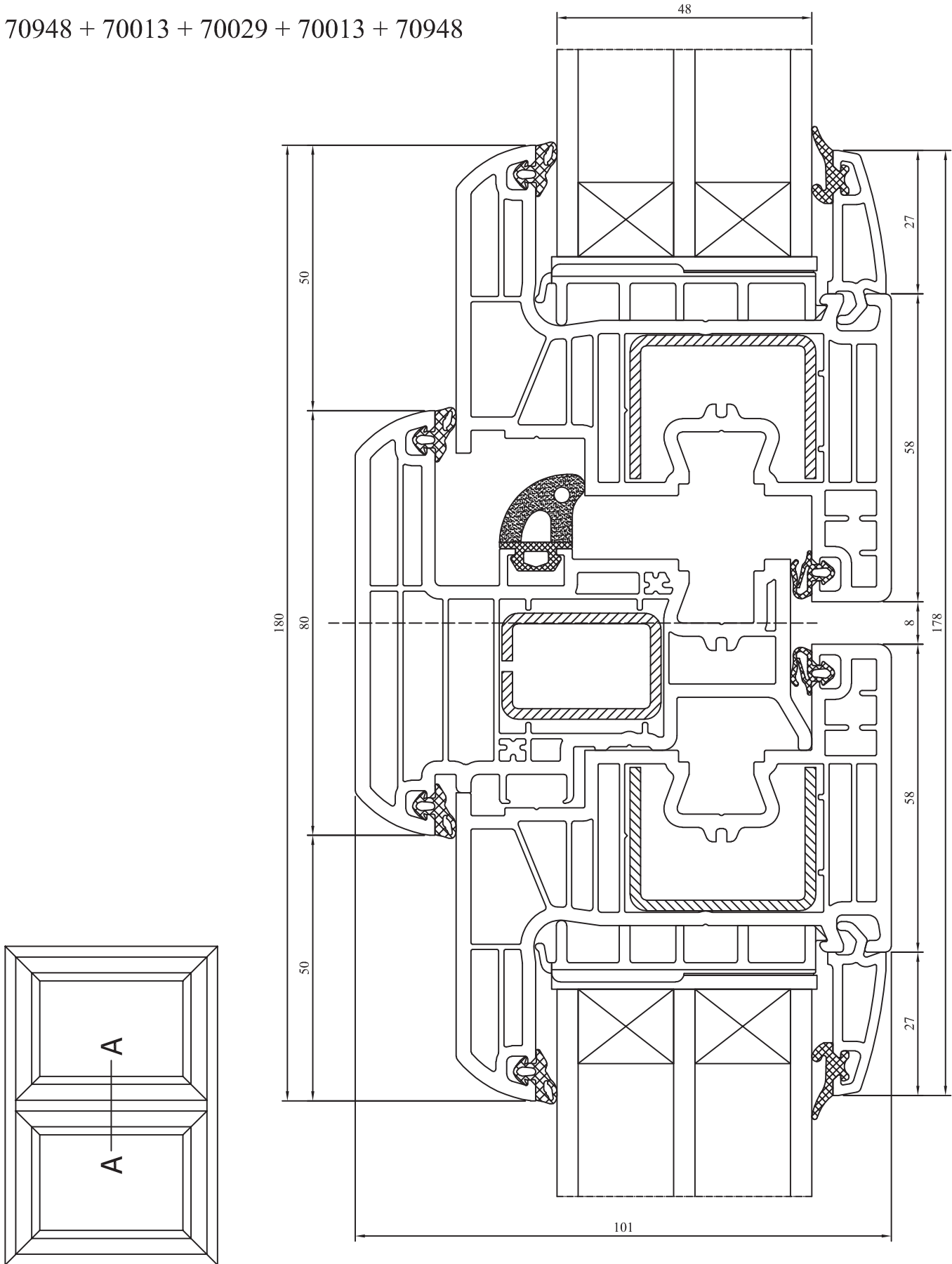
A - A

70948 + 70011 + 70029 + 70011 + 70948



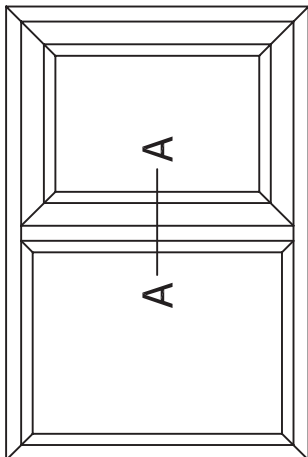
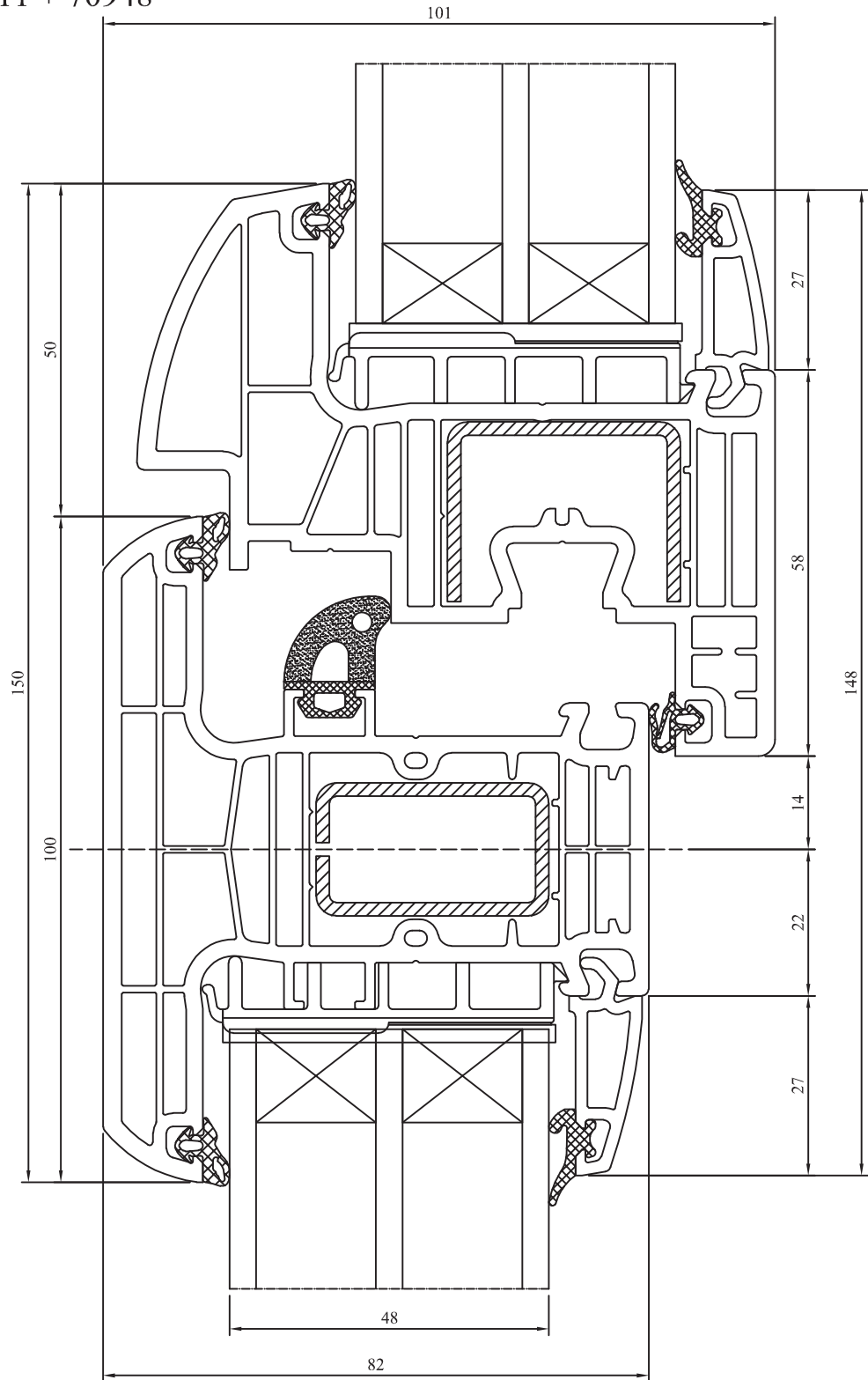
A - A

70948 + 70013 + 70029 + 70013 + 70948



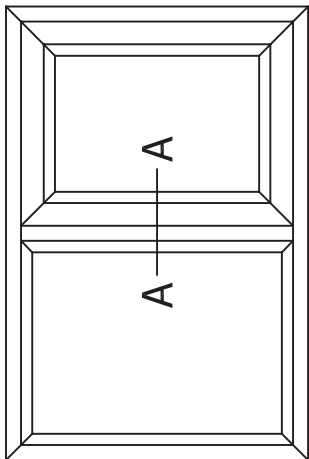
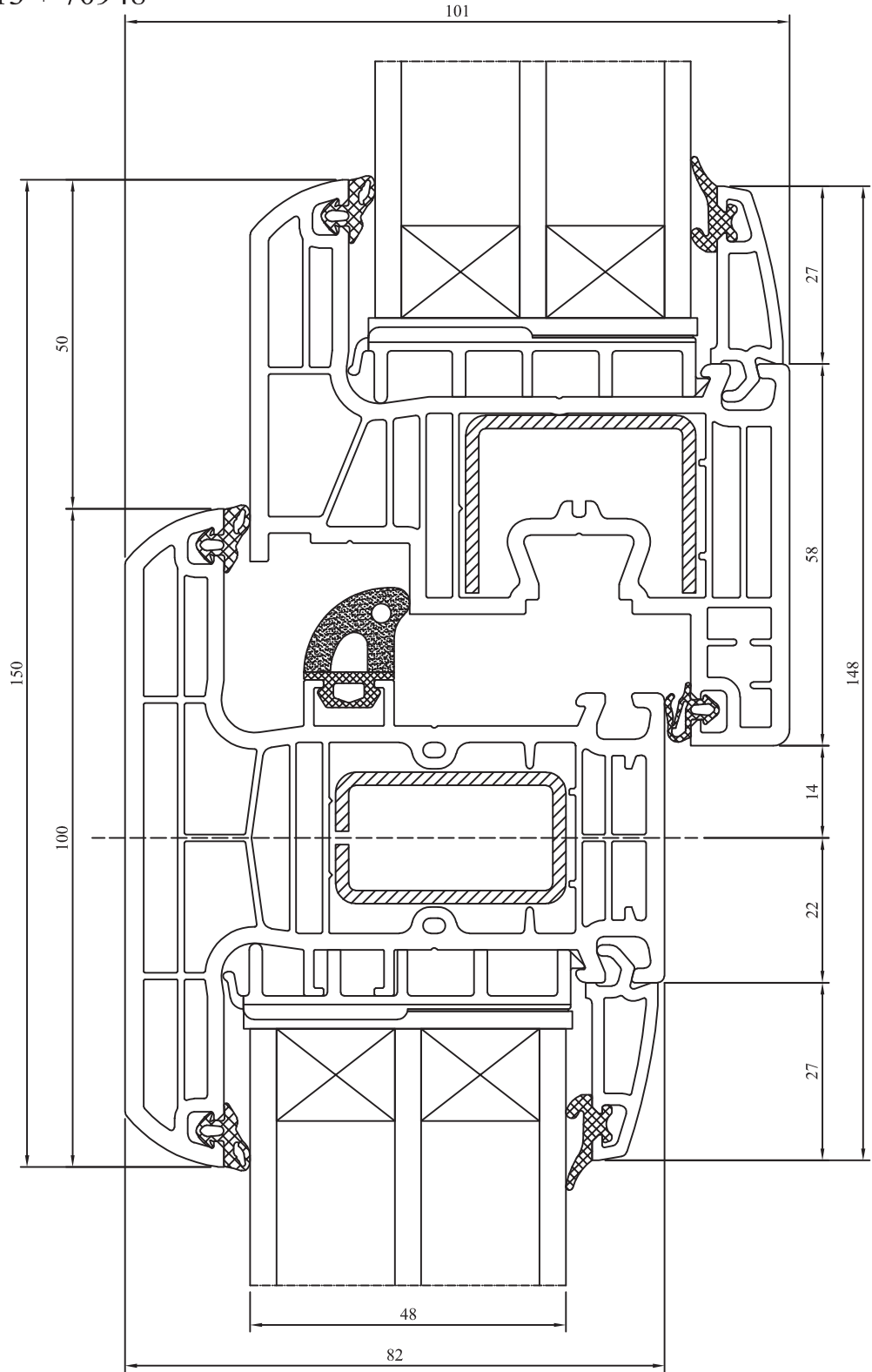
A - A

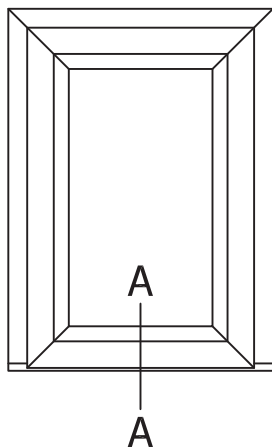
70948 + 70021 + 70011 + 70948



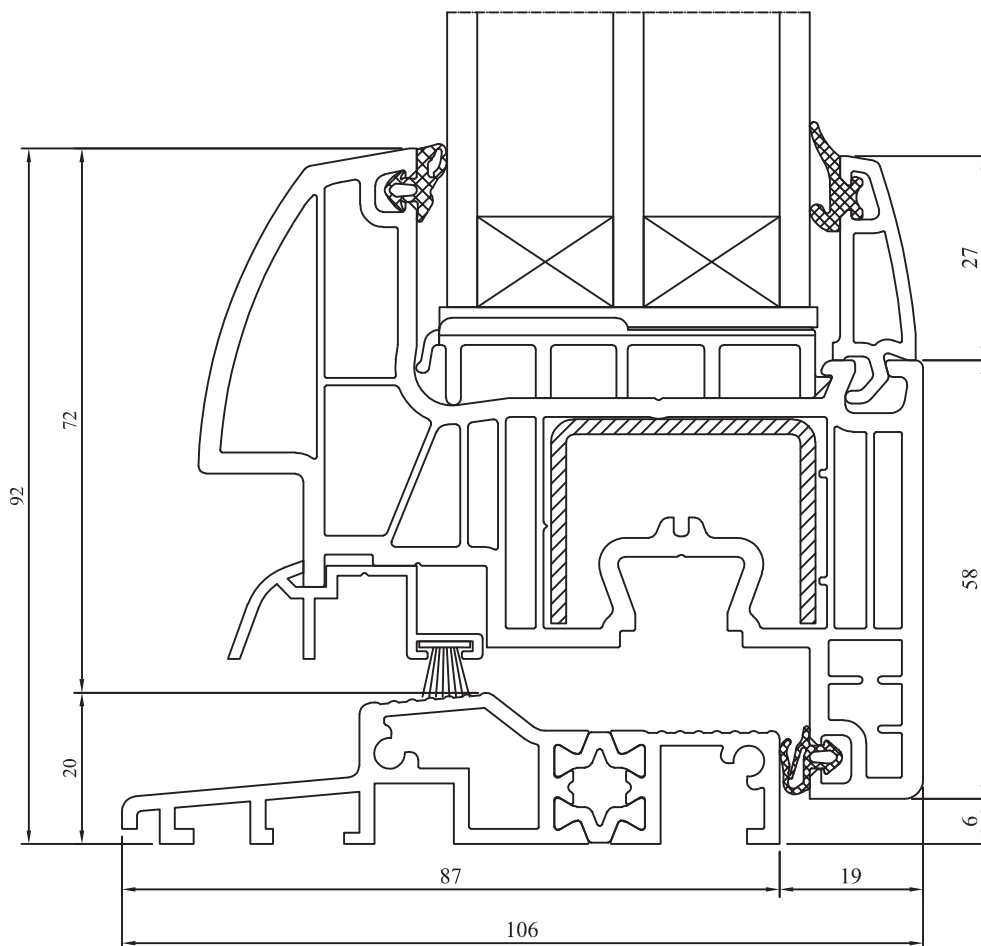
A - A

70948 + 70021 + 70013 + 70948

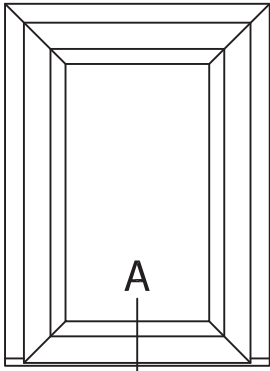




A - A

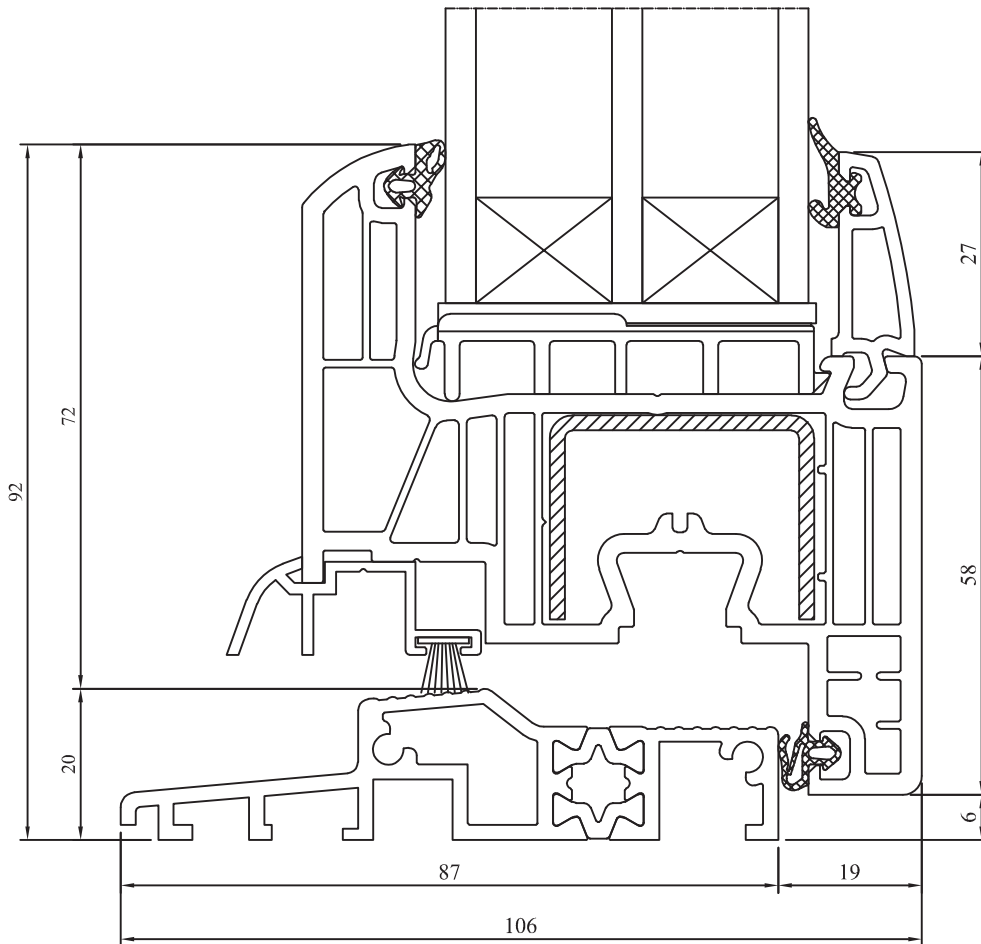


710281 + 86349 + 70011 + 70948



A
A

A - A



710281 + 86349 + 70013 + 70948