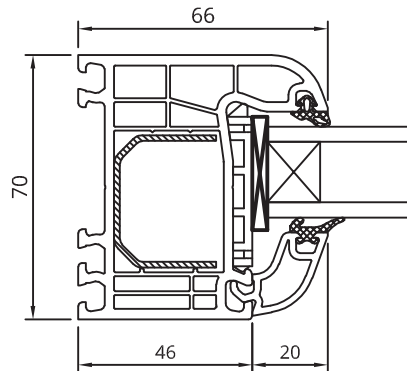
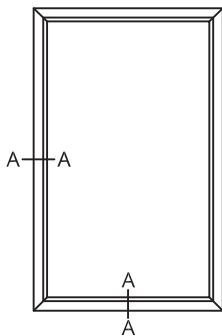


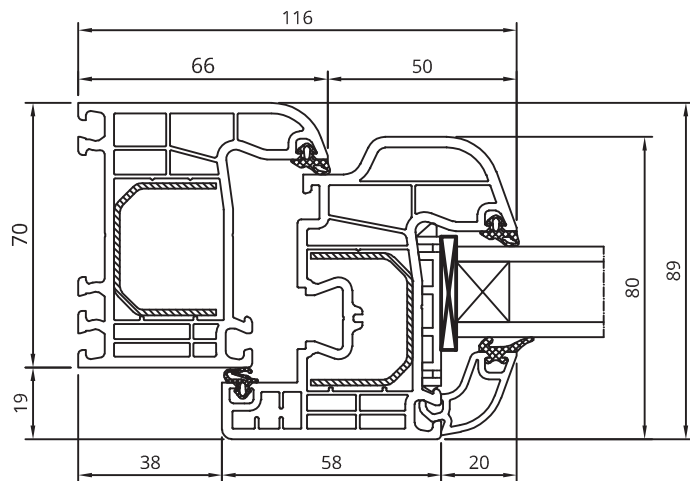
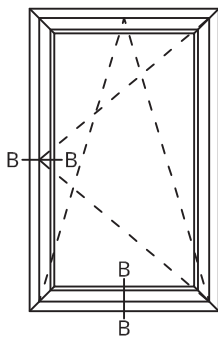
50001 + 50924

A - A



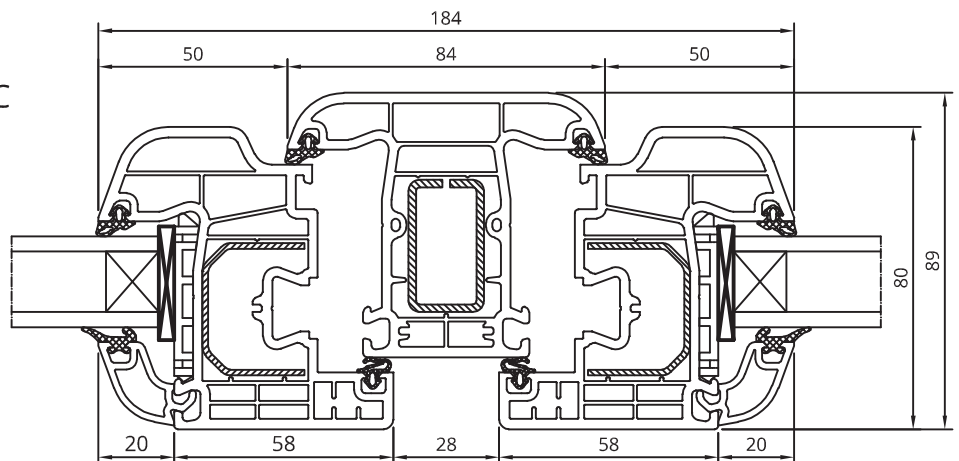
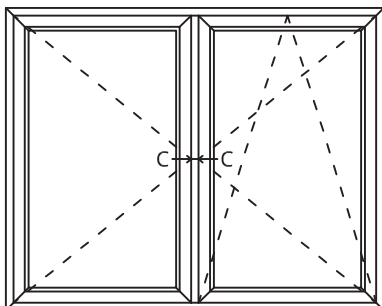
50001 + 50011 + 50924

B - B

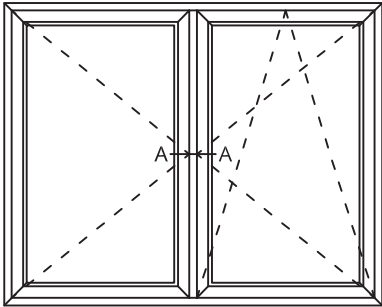


50924 + 50011 + 50021 + 50011 + 50924

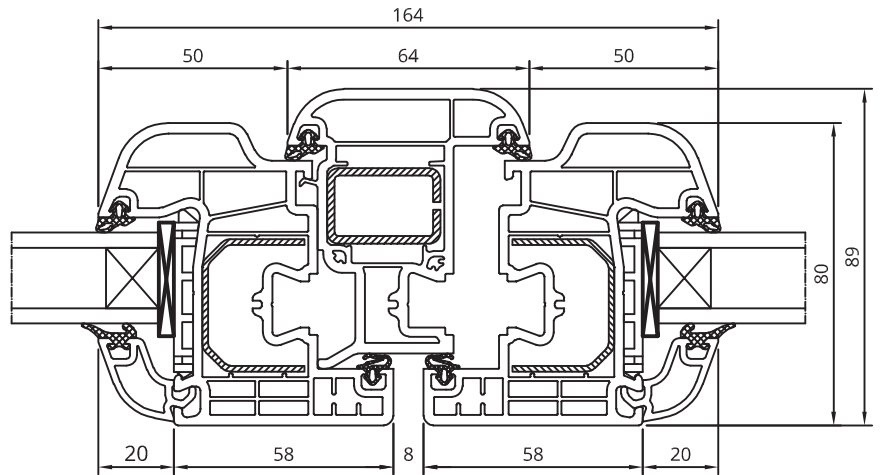
C - C



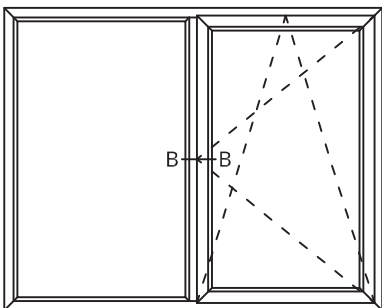
A - A



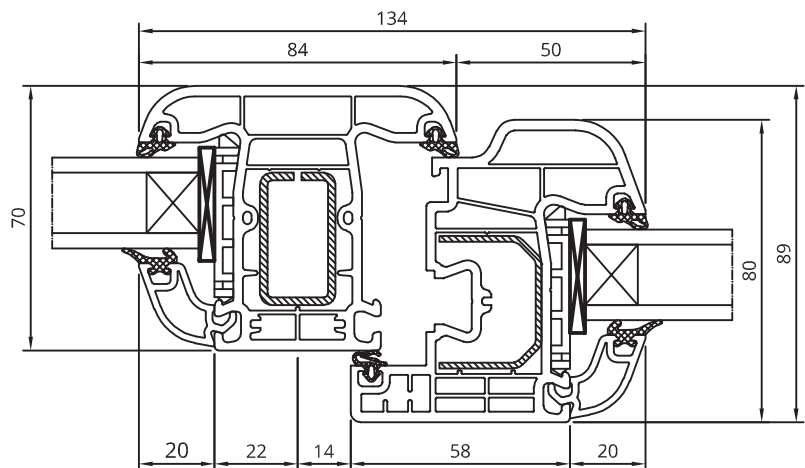
50924 + 50011 + 50029 + 50011 + 50924



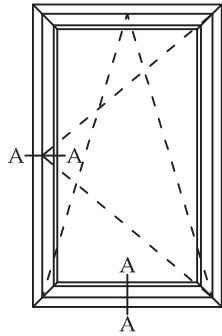
B - B



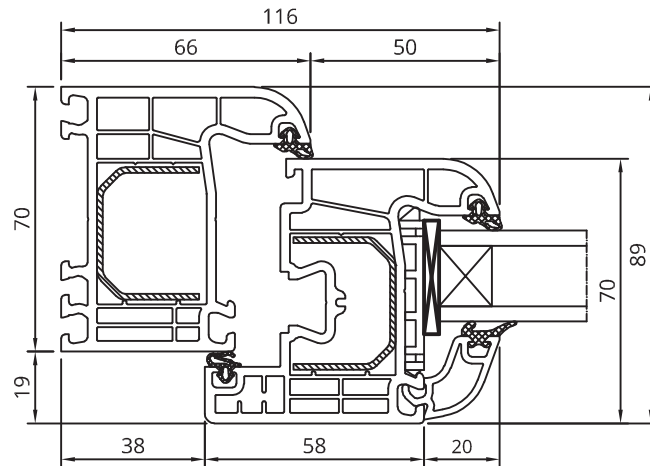
50924 + 50021 + 50011 + 50924



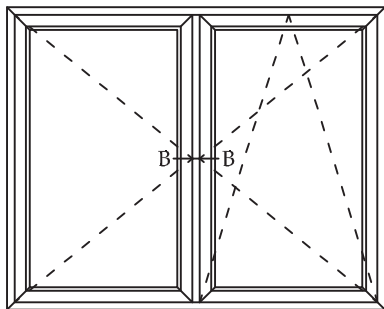
A - A



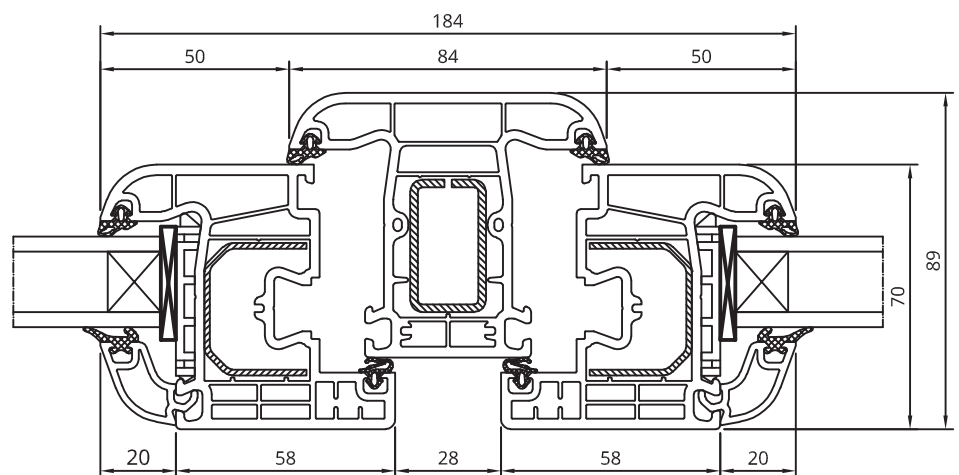
50001 + 50013 + 50924



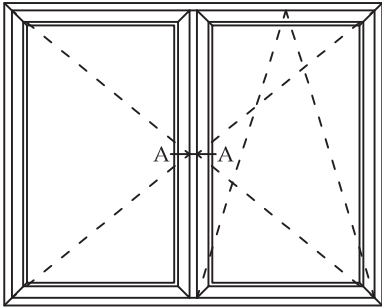
B - B



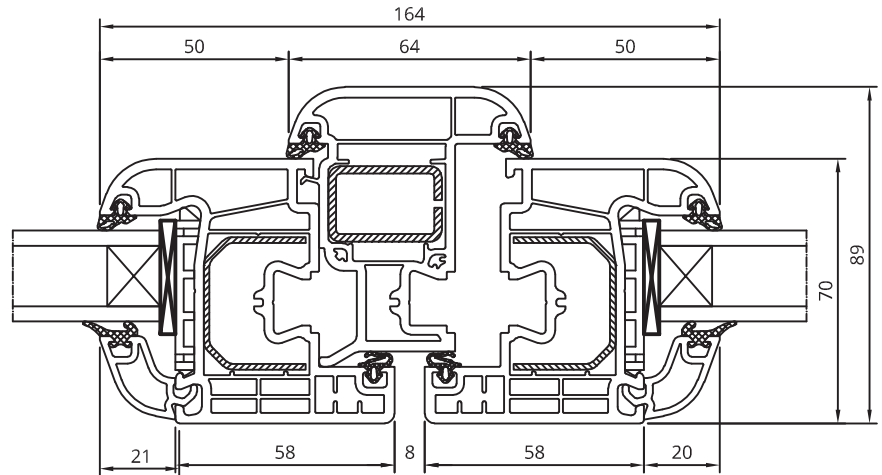
50924 + 50013 + 50021 + 50013 + 50924



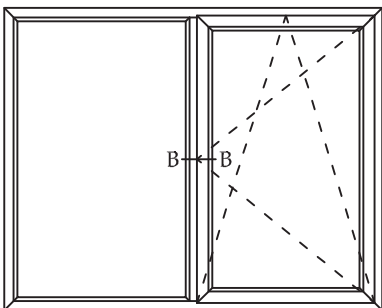
A - A



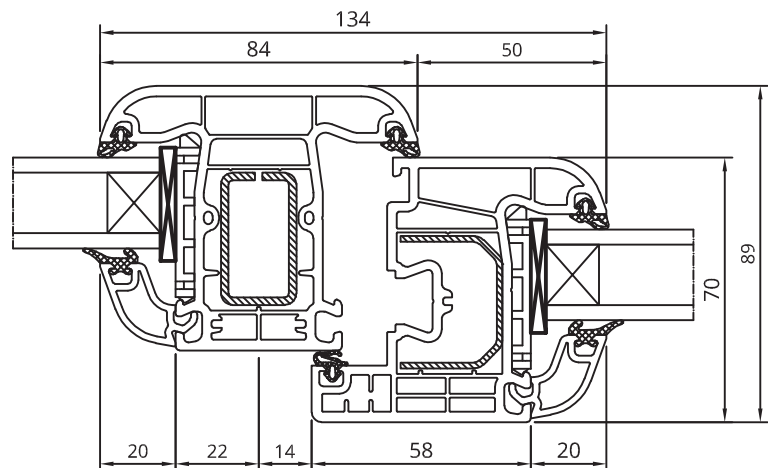
50924 + 50013 + 50029 + 50013 + 50924

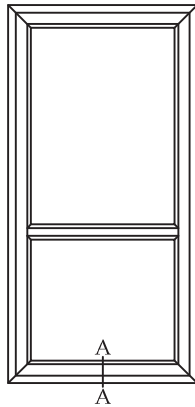


B - B



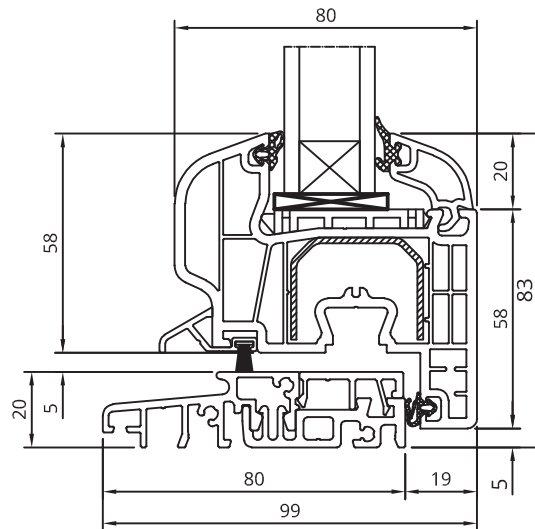
50924 + 50021 + 50013 + 50924





A - A

DKS 2.1.0 + 50011 + 50924



A - A

DKS 2.1.0 + 50013 + 50924

